

# Quad 18.5" Quad-Split Monitor

## OBM-Q180

4 x 3G/HD/SD-SDI & Active Loopout

3D LUT Accurate Color Reproduction

Panel Resolution: 1920 x 1080

HDMI 1.3 Input

Waveform, Vector Scope

Time Code Display

UMD

HDR



The Postium OBM-Q180 is a 18.5" quad 3G input monitor designed for monitoring up to 4 HD/SD on-screen simultaneously.

The OBM-Q180 accepts up to four independent 1080 60P signals displayed at either a full screen native 1920x1080 resolution or scaled to ¼ resolution via four standard 3G/HD-SDI input interfaces (x4).



**POSTIUM KOREA** Co., Ltd.  
[www.postium.com](http://www.postium.com)

# Quad 18.5" Quad-Split Monitor OBM-Q180

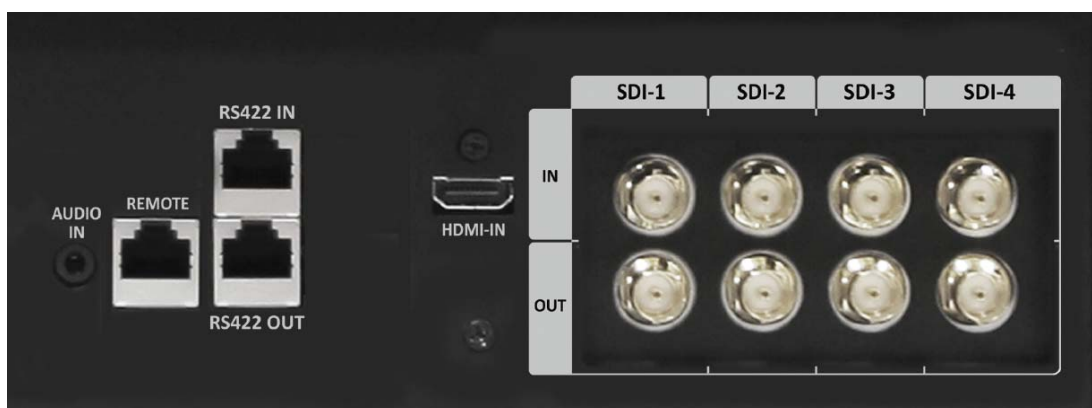
## Product Highlights

- Video Input: 4 x 3G-SDI, 1 x HDMI 1.3
- Video Output: 4 x 3G-SDI
- Audio In: Embedded Audio, Analog Stereo (Phone Jack)
- Audio Out: Analog Stereo (Phone Jack), Internal Speaker(Mono/Stereo)
- 3G-SDI Level A/B Support
- 3D LUT Accurate Color Reproduction
- HDR Support
- Waveform
- Vector Scope
- Various Display Modes
- Adjustable Gamma
- Time Code Display
- Audio Level Meter Display
- UMD
- 1:1 Pixel Mapping
- Blue Only
- H/V Delay
- Various Markers
- Blue/Mono Only
- Various Scan modes
- Freeze Frame
- 3 Color Tally Lamp
- Remote Control via GPI(RJ-45) Port
- Firmware Update via USB Flash Memory
- Rack & VESA Mount(Optional)

Quad position selectable



## Parts and Controls



\* Functions are subject to change without prior notice for the product quality improvement.

# Quad 18.5" Quad-Split Monitor OBM-Q180

## Specifications

ITEM	OBM-Q180	
Input	4 x BNC	3G/HD/SD-SDI-1/2
	1 x HDMI	HDMI 1.3a
Output	2 x BNC	3G/HD/SD-SDI-1/2
Input Signal Format	SMPTE ST 425-AB	1080p(60/59.94/50/30/29.97/25/24/23.98/30sF/29.97sF/25sF/24sF/23.98sF) / 1080i (60/59.94/50)
	SMPTE ST 274	1080p(30/29.97/25/24/23.98/24sF/23.98sF)
		1080i (60/59.94/50)
	SMPTE ST 296	720p(60/59.94/50)
	SMPTE ST 260	1920 x 1035i(60/59.94)
	SMPTE ST 2048	2048 x 1080p(24/23.98/24sF/23.98sF)
	SMPTE ST 125	480i(59.94)
	ITU-R BT.656	576i(50)
HDMI	~ 1080p(60)	
Audio In/Out	1 x Phone Jack In	Line In(Stereo)
	1 x Phone Jack Out	H/P Out(Front, Stereo)
	2 x Speaker Out	Stereo
Display	Size	18.5" LCD
	Resolution	1920 x 1080 (16:9)
	Pixel Pitch	0.213mm
	Color	1.064B colors(8bit+2bit FRC)
	Viewing Angle	178(H), 178(V)
	Luminance of White	500cd/m <sup>2</sup>
	Contrast	1000 : 1
	Display Area (H x V)	408.96 x 230.04 (mm)
General	1 x Ethernet	Control/Update, RJ-45P Input / Output
	1 x GPIO	GPI-7 Port, RJ-45P Jack
	2 x Serial	RS-422 Jack, RJ-45P Input / Output
	1 x USB	For Firmware Update, Color Calibration
	Power Requirements	AC(100-230V,50/60Hz)/DC12V
	Power Consumption	Max 40W
	Operating Temperature	0 ~ 40°C(32°F~104°F)
	Operating Humidity	20 ~ 80% RH
	Weight	6.7kg/14.77lbs
	Dimensions(with stand)	471 x 335 x 120mm
		18.54 x 13.18 x 4.72inch
	Accessories	Power Cable
	Option	Rack Mount Kit / Carrying Case / Sun Hood / Acrylic Protector / V-Mount

\* Specifications are subject to change without prior notice for the product quality improvement.

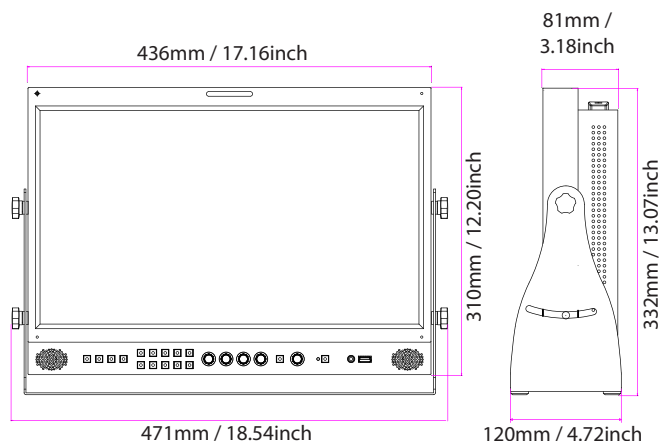
## Dimensions(mm)

### Dimensions

- Main Body : 436 x 310 x 81 mm  
17.16 x 12.20 x 3.18 inch
- With Stand : 471 x 332 x 120 mm  
18.54 x 13.07 x 4.72 inch

### Weight

- Main Body : 5.5kg / 12.12lbs
- With Stand : 6.7kg / 14.77lbs



\* Specifications are subject to change without prior notice for the product quality improvement.